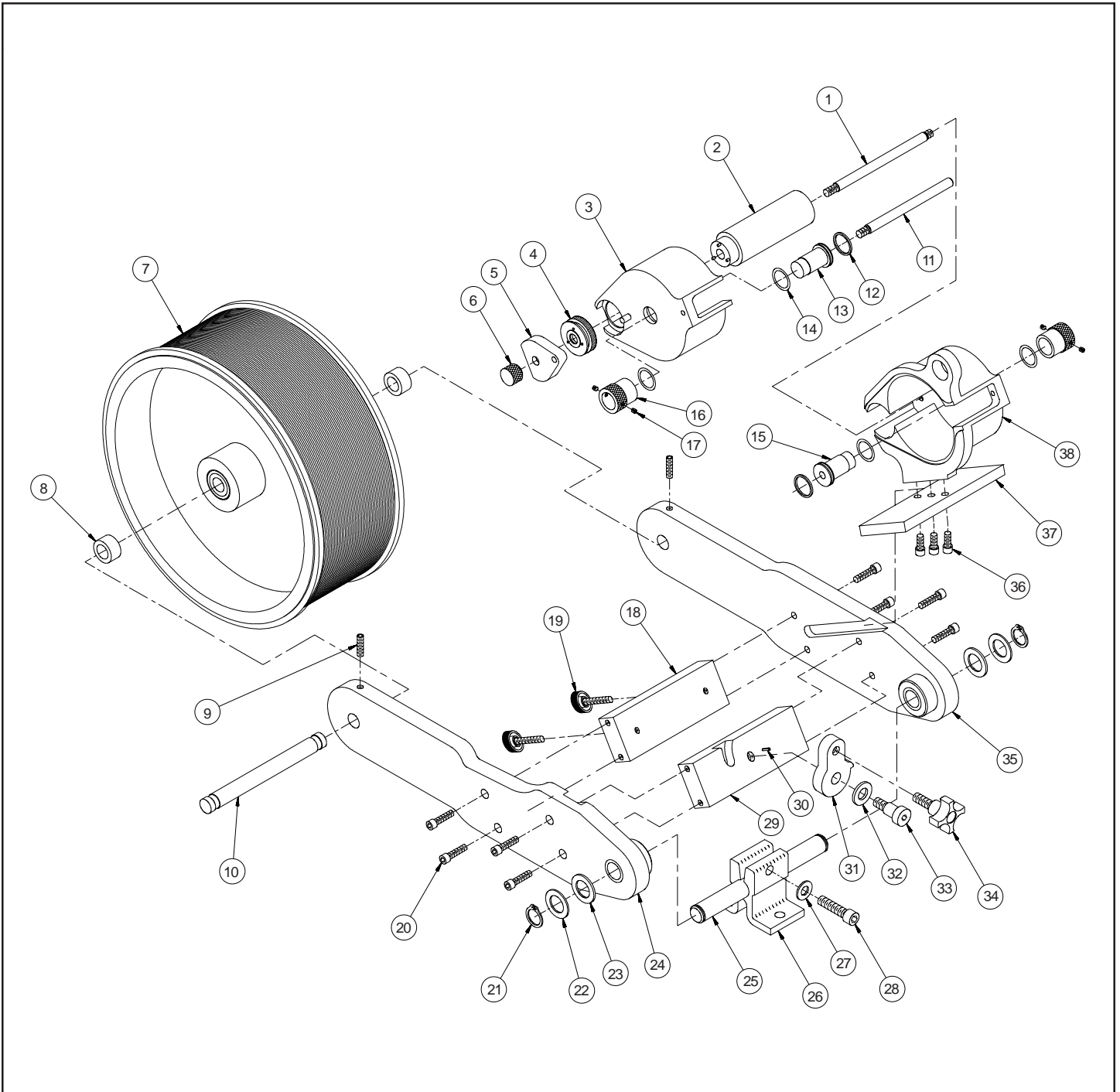


January 26, 2010

UNIVERSAL NON-POROUS WEB PRINTER  
WPNP-400NI-12-PIDS

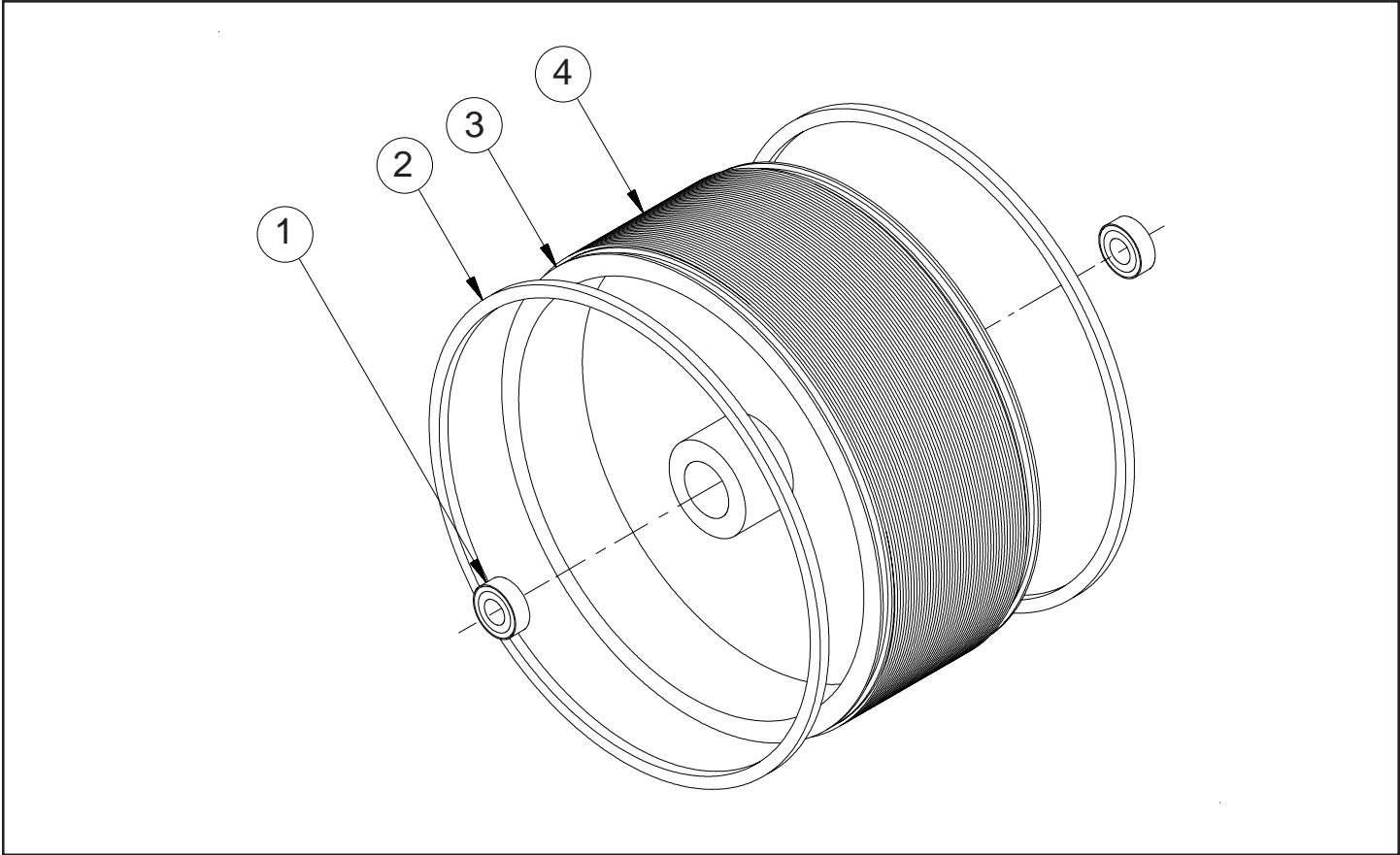
**WPNP-400NI-12-PIDS NON-POROUS WEB PRINTER ASSEMBLY**



## WPNP-400NI-12-PIDS NON-POROUS WEB PRINTER PARTS LIST

KEY NO.	PART NUMBER	QTY. REQD.	DESCRIPTION
1	WPNP-009	1	4" TRANSFER ROLL AXLE
2	WPNP-TRA-4	1	4" TRANSFER ROLL ASSEMBLY
3	<b>SEE PAGE 4 FOR COVER PART NUMBER</b>		
4	NP-14	1	KNURLED DRIVE WHEEL W/DEL RIN WASHER
5	WPNP-011	1	DRIVE WHEEL COVER
6	NP-17	1	COVER RETAINING KNOB
7	WPNP-400NI-12-PDA	1	PRINT DRUM ASSEMBLY
8	WPNP-022	2	PRINT DRUM DELRIN AXLE SPACER
9	WPNP-020	2	SET SCREW - 1/4-20 X 1.00" LG.
10	WPNP-021	1	4" PRINT DRUM AXLE
11	WPNP-038	1	4" INK ROLL AXLE
12	NP-21	2	O-RING, ECCENTRIC
13	NP-20C	1	ECCENTRIC, INK ROLL
14	HP-42	4	DEL RIN WASHERS
15	WPNP-039	1	ECCENTRIC, INK ROLL (MODIFIED)
16	NP-19	2	ECCENTRIC KNURLED KNOB
17	HP-06	4	SET SCREW, 8-32 X 3/16"
18	WPNP-014	1	JOINING BAR "A"
19	WPNP-PAK	2	POSITION ADJUSTING KNOB
20	CR-13	8	SCREW, 1/4-20 X 1.0" SHC
21	CF-13	2	SNAP RING FOR 3/4" SHAFT
22	CW-01	2	3/4" STEEL FLAT WASHER
23	CW-05	2	3/4" NYLON FLAT WASHER
24	WPNP-SFA-12	1	SIDE FRAME "A"
25	WPNP-025	1	MOUNTING SHAFT
26	CM-17	1	BRACKET, MOUNTING COLUMN
27	CW-02	1	3/8" STEEL FLAT WASHER
28	CF-09	1	SCREW, 3/8-16 X 1-1/2" SHC
29	WPNP-015	1	JOINING BAR "B"
30	CR-16	1	COMPRESSION PIN
31	WPNP-016	1	PIVOT LOCK
32	WPNP-032	1	DEL RIN LATCH WASHER
33	WPNP-019	1	PIVOT LOCK SHOULDER SCREW
34	WPNP-LKA	1	LOCK KNOB ASSEMBLY
35	WPNP-SFB-12	1	SIDE FRAME "B"
36	MC-02	3	SCREW, 1/4-20 X 5/8" LG. SHC
37	WPNP-029	1	INKING SYSTEM MOUNTING PLATE
38	<b>SEE PAGE 4 FOR COVER PART NUMBER</b>		

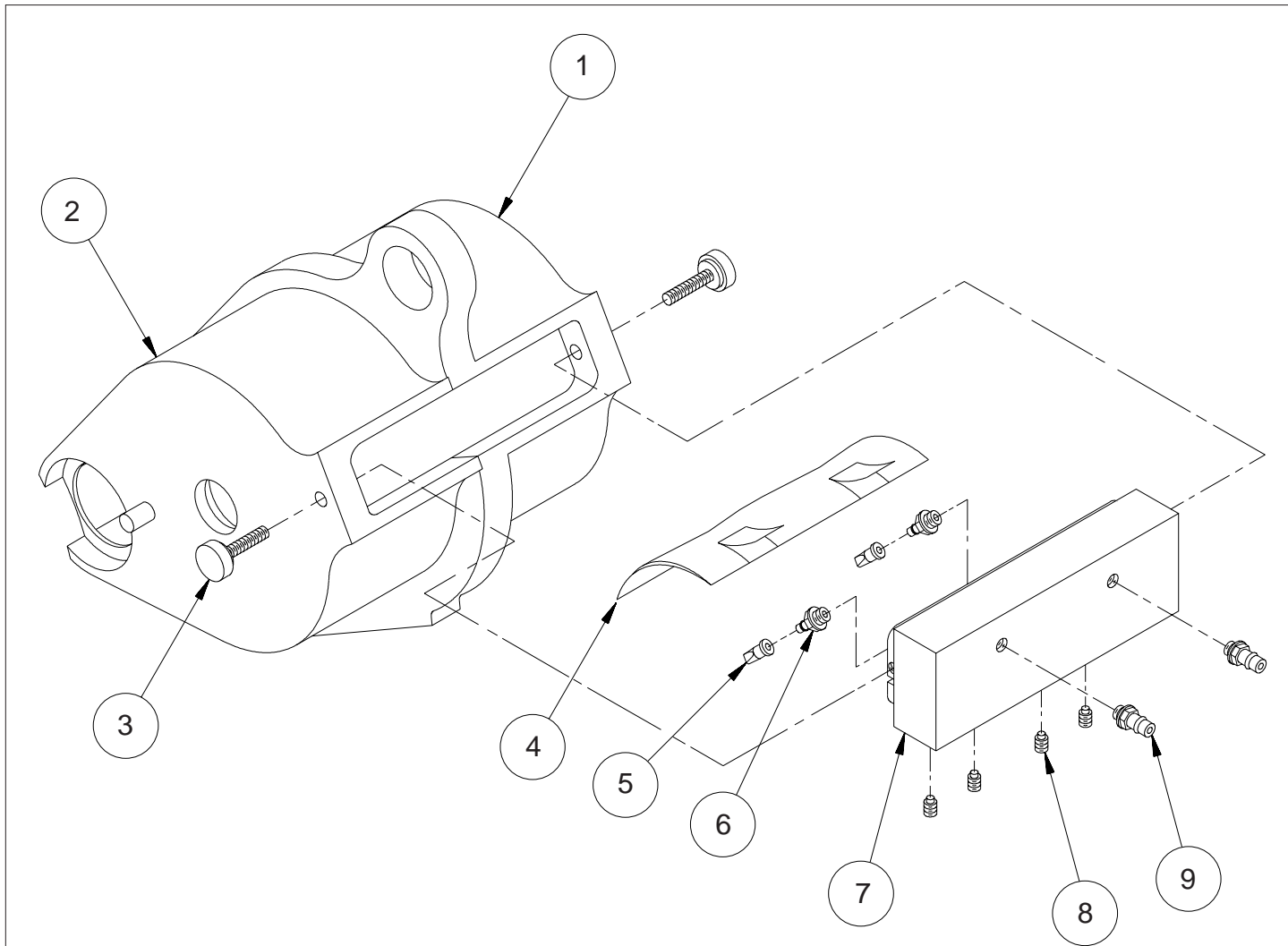
# NON-POROUS WPNP-400NI-12 WEB PRINTER PRINT DRUM ASSEMBLY



## NON-POROUS WPNP-400NI-12 WEB PRINTER PRINT DRUM ASSEMBLY PARTS LIST

KEY NO.	PART NUMBER	QTY. REQD.	DESCRIPTION
1	CB-04	2	BEARING, PRINT DRUM
2	WPNP-034	2	O-RING, P.D. BEARER (SQUARE CUT)
3	WPNP-033	1	PRINT DRUM - 12" DIAMETER
3	WPNP-037	1	RIBTYPE RING

# WPNP PIDS WIPER COMPONENTS



## WPNP PIDS WIPER COMPONENTS PARTS LIST

KEY NO.	PART NUMBER	QTY. REQD.	DESCRIPTION
1	PIDS-59	1	WPNP INKING SYSTEM COVER, STATIONARY
2	PIDS-60	1	WPNP INKING SYSTEM COVER, REMOVABLE
3	PIDS-TSA	2	WPNP THUMB SCREW ASSEMBLY
4	PIDS-57	1	PLASTIC WIPER, WPNP 4"
5	PIDS-16	2	CHECK VALVE, DUCK BILL
6	MRM-PC-69	2	10-32 BARB FITTING X 1/16" I.D. TUBE
7	PIDS-58	1	WPNP WIPER BLOCK
8	CF-05	4	NYLON TIP SET SCREW, 8-32 THREAD
9	MRM-PC-70	2	10-32 BARB FITTING X 1/8" I.D. TUBE

**NOTE:** ITEMS 4 THRU 9 MAKE UP THE WPNP-WA4, 4" WIPER ADAPTER ASSEMBLY.

**Universal Stenciling & Marking Systems, Inc.**

P.O. Box 871 - St. Petersburg, FL 33731 - U.S.A.

Ph: (727) 894-3027 Fax: (727) 821-7944

E-Mail: sales@universal-marking.com Website: www.universal-marking.com