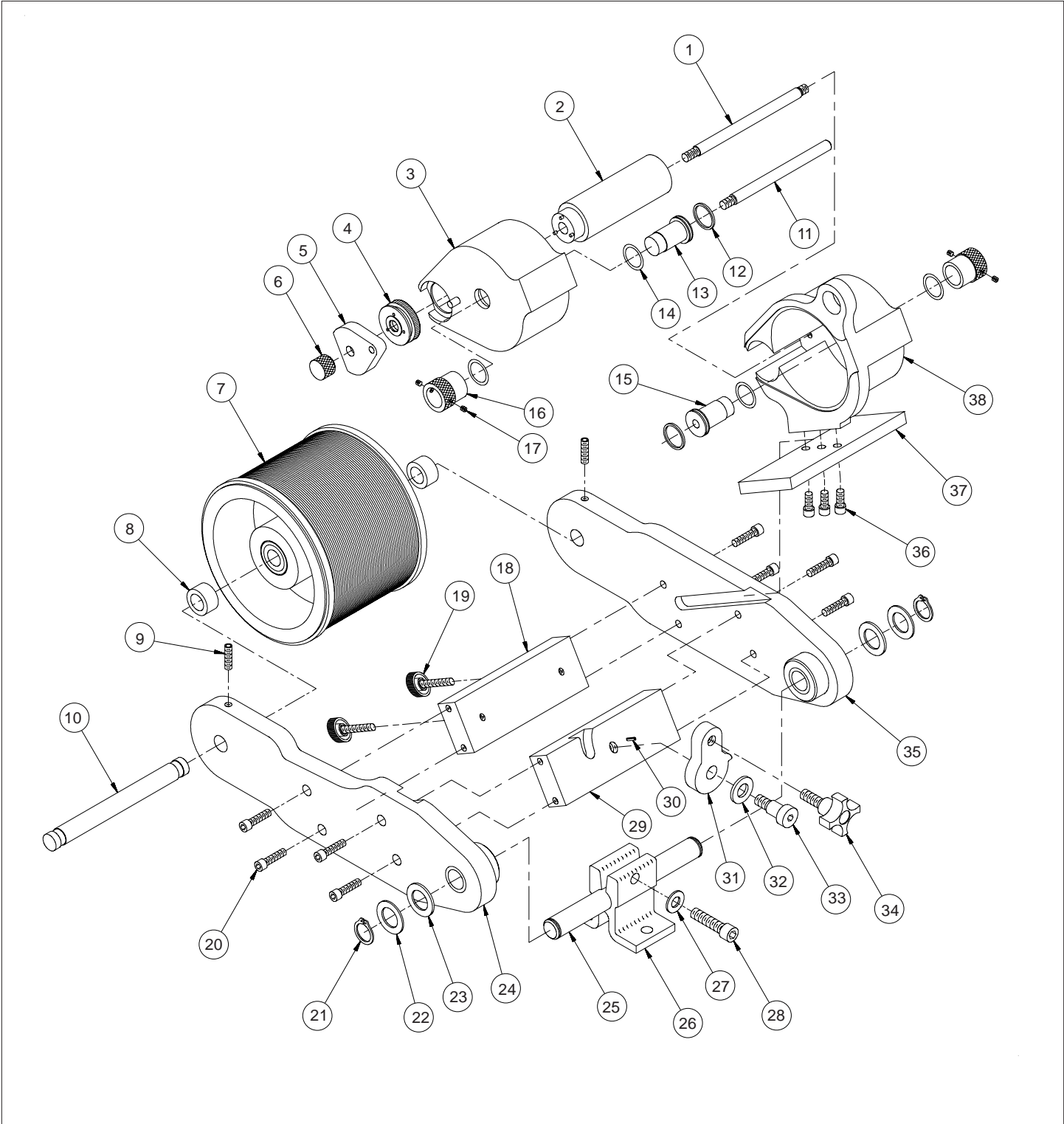


October 12, 2009

UNIVERSAL NON-POROUS WPNP-400NI WEB PRINTER
WPNP-400NI & WPNP-400NI-T SERIES

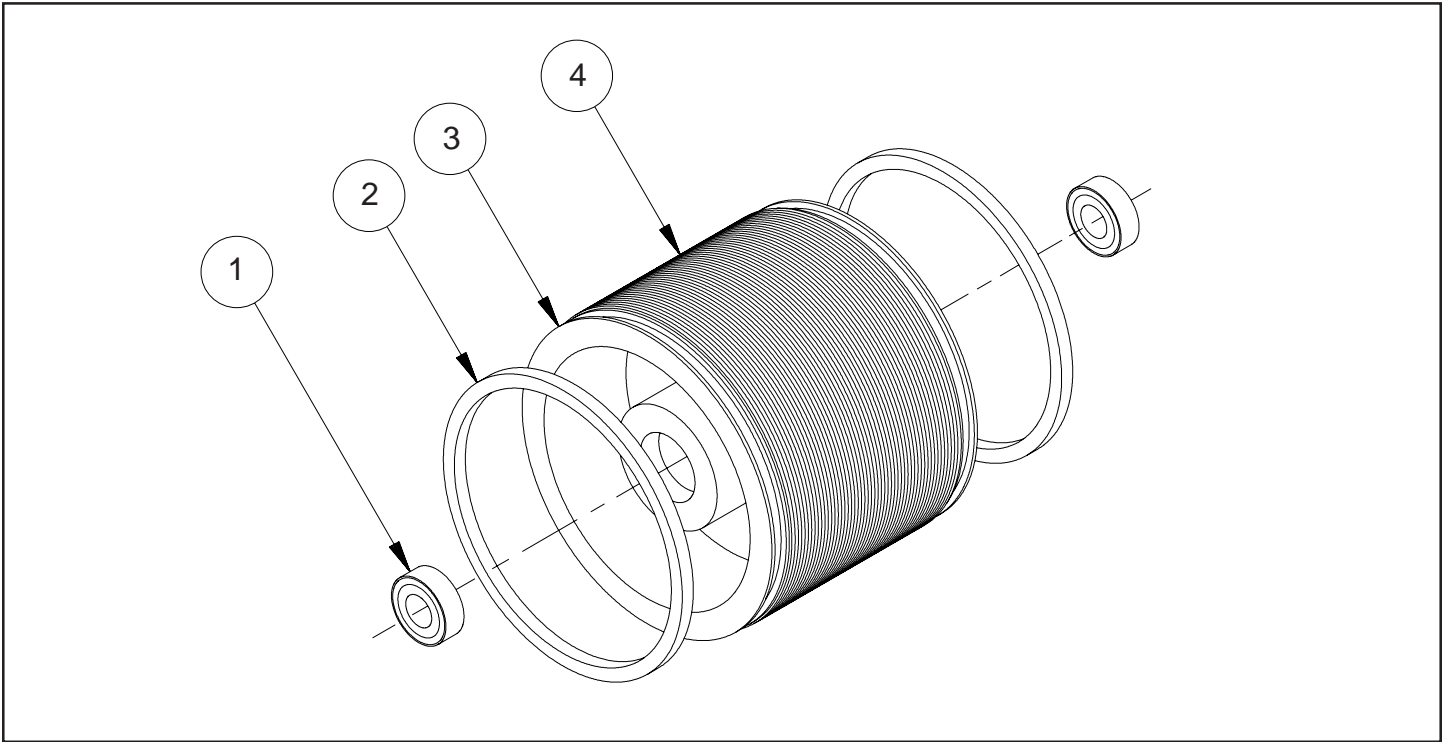
NON-POROUS WPNP-400NI & WPNP-400NI-T WEB PRINTER ASSEMBLY



WPNP-400NI & WPNP-400NI-T NON-POROUS WEB PRINTER PARTS LIST

| KEY NO. | PART NUMBER | QTY. REQD. | DESCRIPTION |
|---------|------------------|------------|--------------------------------------|
| 1 | WPNP-009 | 1 | 4" TRANSFER ROLL AXLE |
| 2 | WPNP-TRA-4 | 1 | 4" TRANSFER ROLL ASSEMBLY |
| 3 | WPNP-CA2 | 1 | NP COVER ASSEMBLY |
| 4 | NP-14 | 1 | KNURLED DRIVE WHEEL W/DELTRIN WASHER |
| 5 | WPNP-011 | 1 | DRIVE WHEEL COVER |
| 6 | NP-17 | 1 | COVER RETAINING KNOB |
| 7 | WPNP-400NI-PDA | 1 | PRINT DRUM ASSEMBLY - STANDARD |
| | WPNP-400NI-PDA-T | | PRINT DRUM ASSEMBLY - METRIC |
| 8 | WPNP-022 | 2 | PRINT DRUM DELTRIN AXLE SPACER |
| 9 | WPNP-020 | 2 | SET SCREW - 1/4-20 X 1.00" LG. |
| 10 | WPNP-021 | 1 | 4" PRINT DRUM AXLE |
| 11 | WPNP-038 | 1 | 4" INK ROLL AXLE |
| 12 | NP-21 | 2 | O-RING, ECCENTRIC |
| 13 | NP-20C | 1 | ECCENTRIC, INK ROLL |
| 14 | HP-42 | 4 | DELTRIN WASHER |
| 15 | WPNP-039 | 1 | ECCENTRIC, INK ROLL (MODIFIED) |
| 16 | NP-19 | 2 | ECCENTRIC KNURLED KNOB |
| 17 | HP-06 | 4 | SET SCREW, 8-32 X 3/16" |
| 18 | WPNP-014 | 1 | JOINING BAR "A" |
| 19 | WPNP-PAK | 2 | POSITION ADJUSTING KNOB |
| 20 | CR-13 | 8 | SCREW, 1/4-20 X 1.0" SHC |
| 21 | CF-13 | 2 | SNAP RING FOR 3/4" SHAFT |
| 22 | CW-01 | 2 | 3/4" STEEL FLAT WASHER |
| 23 | CW-05 | 2 | 3/4" NYLON FLAT WASHER |
| 24 | WPNP-SFA | 1 | SIDE FRAME "A" |
| 25 | WPNP-025 | 1 | MOUNTING SHAFT |
| 26 | CM-17 | 1 | BRACKET, MOUNTING COLUMN |
| 27 | CW-02 | 1 | 3/8" STEEL FLAT WASHER |
| 28 | CF-09 | 1 | SCREW, 3/8-16 X 1-1/2" SHC |
| 29 | WPNP-015 | 1 | JOINING BAR "B" |
| 30 | CR-16 | 1 | COMPRESSION PIN |
| 31 | WPNP-016 | 1 | PIVOT LOCK |
| 32 | WPNP-032 | 1 | DELTRIN LATCH WASHER |
| 33 | WPNP-019 | 1 | PIVOT LOCK SHOULDER SCREW |
| 34 | WPNP-LKA | 1 | LOCK KNOB ASSEMBLY |
| 35 | WPNP-SFB | 1 | SIDE FRAME "B" |
| 36 | MC-02 | 3 | SCREW, 1/4-20 X 5/8" LG. SHC |
| 37 | WPNP-029 | 1 | INKING SYSTEM MOUNTING PLATE |
| 38 | WPNP-040 | 1 | NP COVER, STATIONARY |

**NON-POROUS WPNP-400NI & WPNP-400NI-T WEB PRINTER
PRINT DRUM ASSEMBLY**



**NON-POROUS WPNP-400NI & WPNP-400NI-T WEB PRINTER
PRINT DRUM ASSEMBLY PARTS LIST**

| KEY NO. | PART NUMBER | QTY. REQD. | DESCRIPTION |
|---------|-------------|------------|--|
| 1 | CB-04 | 2 | BEARING, PRINT DRUM |
| 2 | WPNP-024 | 2 | RUBBER FRICTION BEARER RING, PRINT DRUM (SQUARE CUT) |
| 3 | WPNP-004 | 1 | PRINT DRUM FOR STANDARD RIBTYPE |
| | WPNP-004T | | PRINT DRUM FOR METRIC RIBTYPE |
| 4 | WPNP-023 | 1 | RIBTYPE DRUM COVER - STANDARD |
| | WPNP-023T | | RIBTYPE DRUM COVER - METRIC |

Universal Stenciling & Marking Systems, Inc.

P.O. Box 871 - St. Petersburg, FL 33731 - U.S.A.

Ph: (727) 894-3027 Fax: (727) 821-7944

E-Mail: sales@universal-marking.com Website: www.universal-marking.com