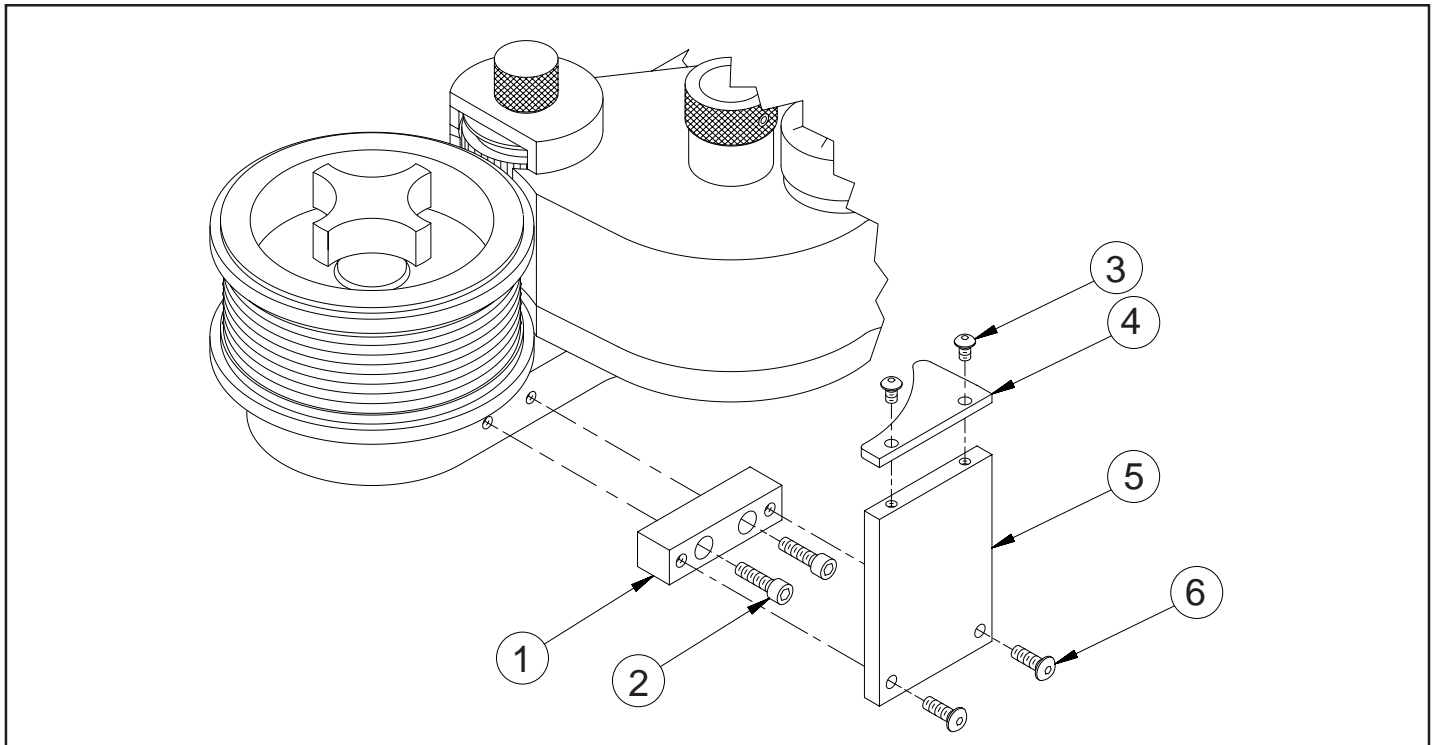


April 6, 2011

UNIVERSAL NON-POROUS MIDSIZE CODERS
MS-120, MS-150, MS-180, MS-220, MS-250 & MS-280 SERIES

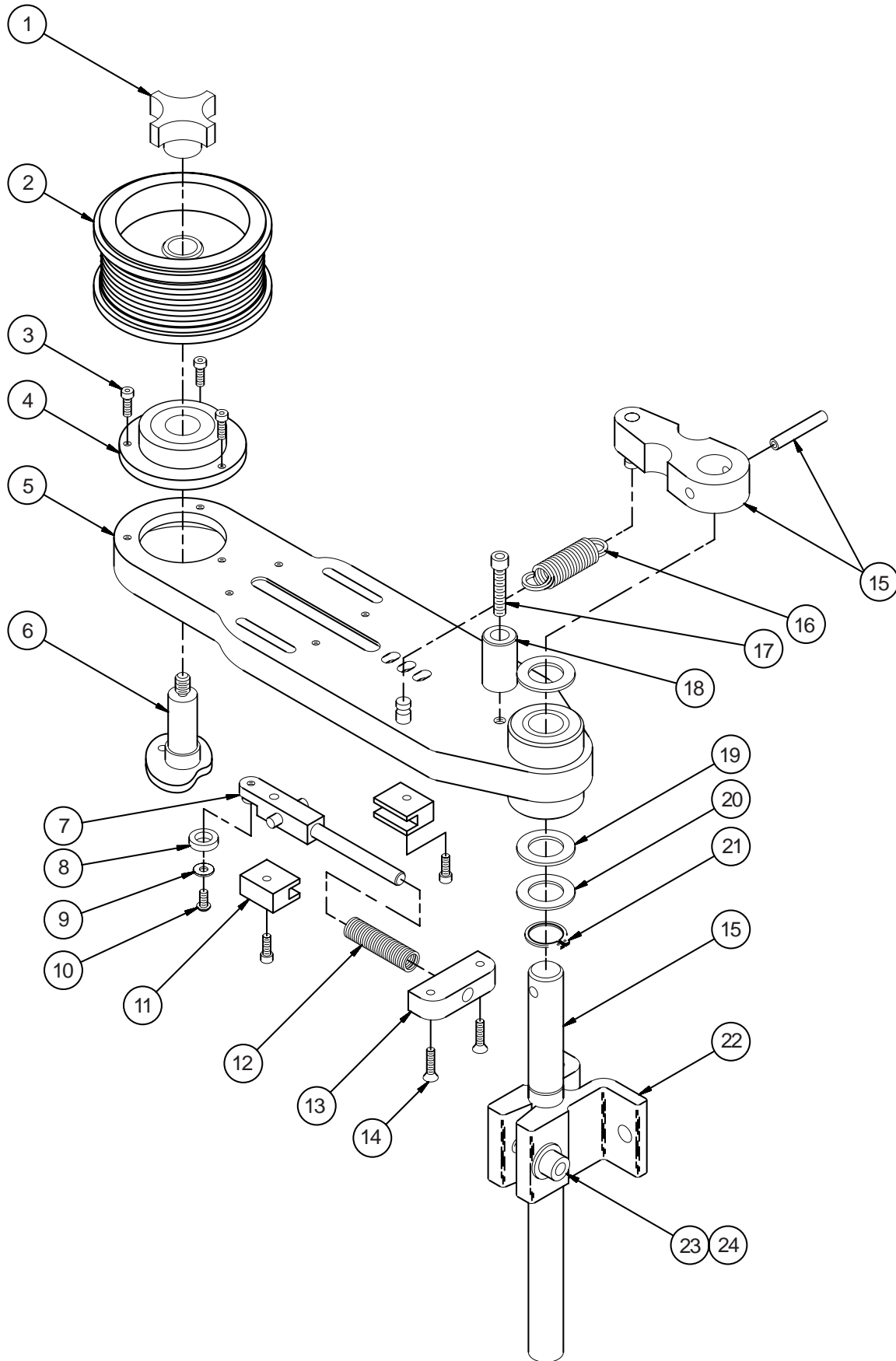
INDEXING & NON-INDEXING

NON-POROUS MIDSIZE CODER CE GUARD



| KEY NO. | PART NUMBER | QTY. REQD. | DESCRIPTION |
|---------|-------------|------------|----------------------------|
| 1 | NP-81 | 1 | STAND OFF, MS-120 & MS-220 |
| | NP-76 | | STAND OFF, MS-150 & MS-250 |
| | NP-85 | | STAND OFF, MS-180 |
| 2 | NP-77 | 2 | SCREW, 8-32 X 3/4" SHC |
| 3 | NP-66 | 2 | SCREW, 6-32 X 1/4" BHC |
| 4 | NP-79 | 1 | END PLATE, MS-120 & MS-220 |
| | NP-74 | | END PLATE, MS-150 & MS-250 |
| | NP-86 | | END PLATE, MS-180 & MS-280 |
| 5 | NP-82 | 1 | TOP PLATE, MS-120 |
| | NP-78 | | TOP PLATE, MS-150 |
| | NP-87 | | TOP PLATE, MS-180 & MS-280 |
| | NP-80 | | TOP PLATE, MS-220 |
| | NP-75 | | TOP PLATE, MS-250 |
| | NP-88 | | TOP PLATE, MS-280 |
| 6 | HP-10 | 2 | SCREW, 8-32 X 1/2" BHC |

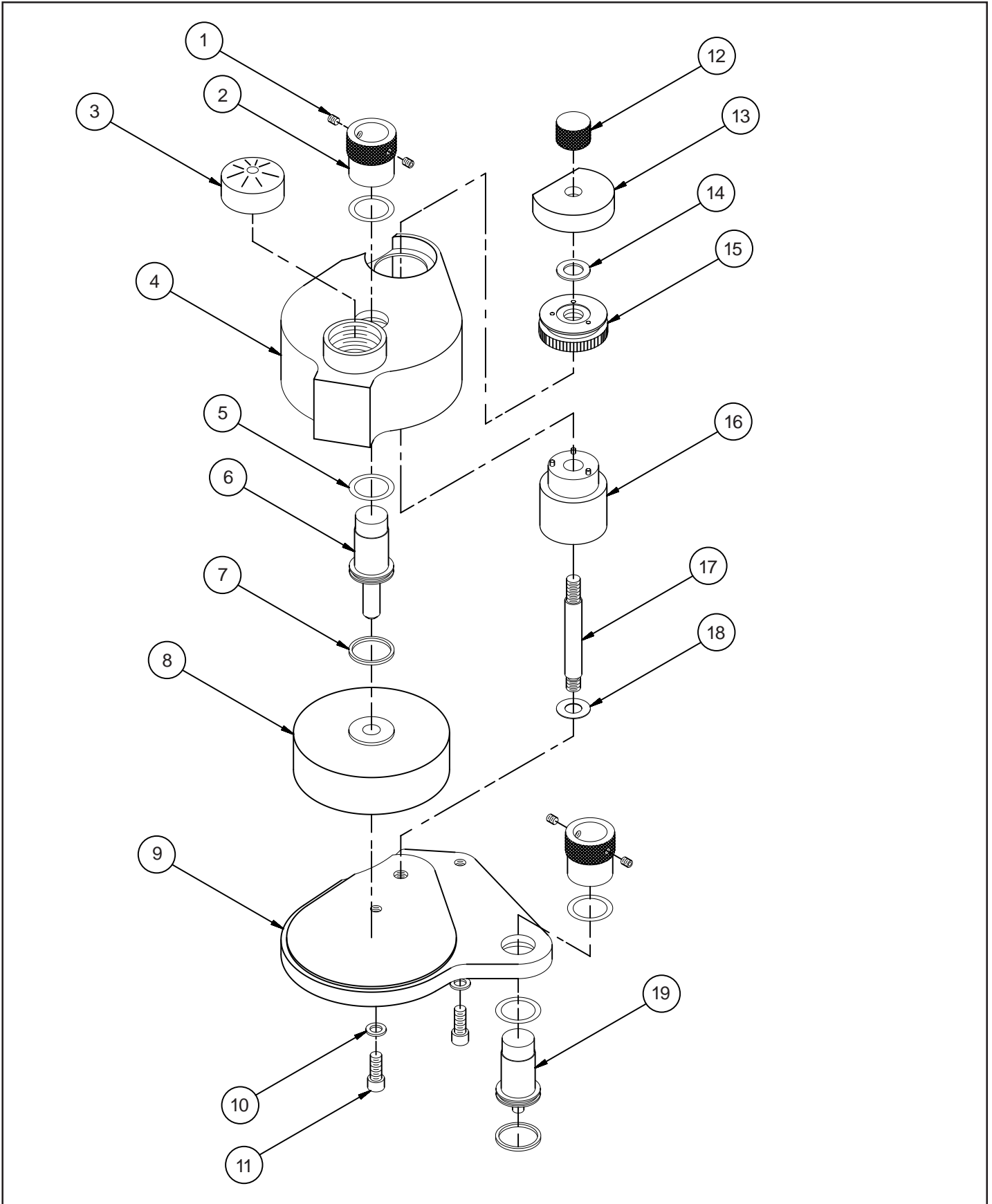
NON-POROUS MIDSIZE CODER



| KEY NO. | PART NUMBER | QTY. REQD. | DESCRIPTION |
|---------|----------------|--|---|
| 1 | MRM-CL20 | 1 | KNOB, PRINT DRUM |
| 2 | MSC-120-PDA-NP | 1 | MS-120 NON-POROUS PRINT DRUM ASSEMBLY |
| | MSC-150-PDA-NP | | MS-150 NON-POROUS PRINT DRUM ASSEMBLY |
| | MSC-180-PDA-NP | | MS-180 NON-POROUS PRINT DRUM ASSEMBLY |
| | MSC-220-PDA-NP | | MS-220 NON-POROUS PRINT DRUM ASSEMBLY |
| | MSC-250-PDA-NP | | MS-250 NON-POROUS PRINT DRUM ASSEMBLY |
| | MSC-280-PDA-NP | | MS-280 NON-POROUS PRINT DRUM ASSEMBLY |
| | MSC-120-PDA-NT | | MS-120 NON-POROUS PRINT DRUM ASSEMBLY, METRIC |
| | MSC-150-PDA-NT | | MS-150 NON-POROUS PRINT DRUM ASSEMBLY, METRIC |
| | MSC-180-PDA-NT | | MS-180 NON-POROUS PRINT DRUM ASSEMBLY, METRIC |
| | MSC-220-PDA-NT | | MS-220 NON-POROUS PRINT DRUM ASSEMBLY, METRIC |
| | MSC-250-PDA-NT | | MS-250 NON-POROUS PRINT DRUM ASSEMBLY, METRIC |
| | MSC-280-PDA-NT | | MS-280 NON-POROUS PRINT DRUM ASSEMBLY, METRIC |
| | 3 | | MS-36 |
| 3 | | SCREW, 8-32 X 1/2" SHC (FOR NON-INDEXING MODELS) | |
| 4 | MSC-BHA | 1 | BEARING & HUB ASSEMBLY |
| 5 | MSC-BPA | 1 | BASEPLATE ASSEMBLY |
| 6 | MSC-ACA | 1 | AXLE & CAM ASSEMBLY (FOR INDEXING MODELS) |
| | MS-28 | | AXLE, PRINT DRUM (FOR NON-INDEXING MODELS) |
| 7 | MSC-CFA | 1 | CAM FOLLOWER ASSEMBLY |
| 8 | MS-18 | 1 | BEARING, CAM FOLLOWER |
| 9 | MS-32 | 1 | #8 FLAT WASHER |
| 10 | MS-33 | 1 | SCREW, 8-32 X 3/8" BHS |
| 11 | MS-04 | 2 | GUIDE, CAM FOLLOWER |
| 12 | MS-30 | 1 | COMPRESSION SPRING - FOR MS-120, MS-220, MS-150 & MS-250 CODERS |
| | MC-36 | | COMPRESSION SPRING - FOR MS-180 & MS-280 CODER ONLY |
| 13 | MS-01 | 1 | GUIDE, COMPRESSION SPRING SHAFT |
| 14 | MS-35 | 2 | SCREW, 8-32 X 3/4" FHS |
| 15 | MSC-MCA | 1 | MOUNTING COLUMN ASSEMBLY |
| 16 | MS-31 | 1 | TENSION ARM SPRING |
| 17 | CF-02 | 1 | SCREW, 1/4-20 X 1-1/4" SHC |
| 18 | MS-15 | 1 | STOP, SPRING TENSION ARM |
| 19 | CW-05 | 2 | 3/4" NYLON FLAT WASHER |
| 20 | CW-01 | 1 | 3/4" STEEL FLAT WASHER |
| 21 | CF-13 | 1 | SNAP RING, 3/4" DIAMETER |
| 22 | CM-17 | 1 | MOUNTING BRACKET |
| 23 | CF-09 | 1 | SCREW, 3/8-16 X 1-1/2" SHC |
| 24 | CW-02 | 1 | 3/8" STEEL FLAT WASHER |

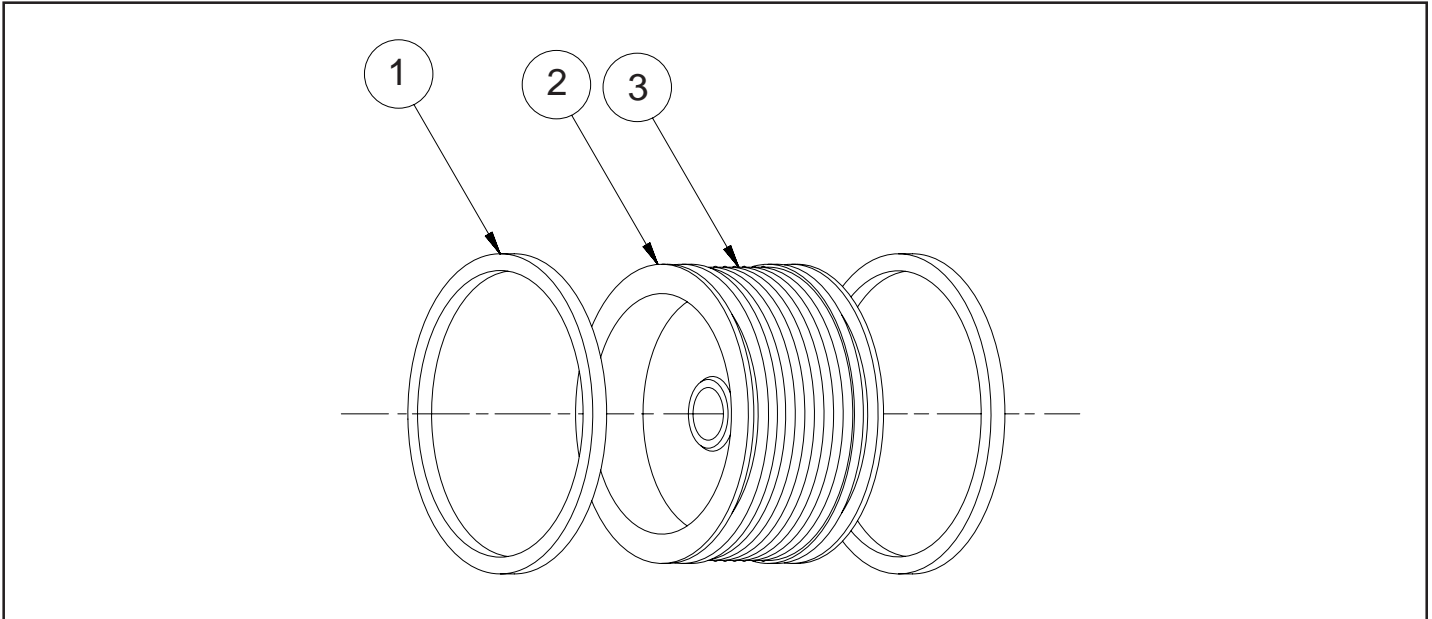
CONTACT CUSTOMER SERVICE FOR DEEP RELIEF PRINTING DIES.

NON-POROUS MIDSIZE CODER INKING SYSTEM



| KEY NO. | PART NUMBER | QTY. REQD. | DESCRIPTION |
|---------|--------------|------------|--|
| 1 | HP-06 | 4 | SET SCREW, 8-32 X 3/16" CPS |
| 2 | NP-19 | 2 | ECCENTRIC KNURLED KNOB |
| 3 | NP-29 | 1 | BLACK VINYL CAP |
| 4 | MSC-CA-NPLS | 1 | COVER ASSEMBLY, 1" NP LEFT SIDE |
| | MSC-CA-NPLT | | COVER ASSEMBLY, 1" NP LEFT TOP |
| | MSC-CA-NPRS | | COVER ASSEMBLY, 1" NP RIGHT SIDE |
| | MSC-CA-NPRT | | COVER ASSEMBLY, 1" NP RIGHT TOP |
| | MSC-CA2-NPLS | | COVER ASSEMBLY, 2" NP LEFT SIDE |
| | MSC-CA2-NPLT | | COVER ASSEMBLY, 2" NP LEFT TOP |
| | MSC-CA2-NPRS | | COVER ASSEMBLY, 2" NP RIGHT SIDE |
| | MSC-CA2-NPRT | | COVER ASSEMBLY, 2" NP RIGHT TOP |
| 5 | HP-42 | 4 | DELTRIN WASHER |
| 6 | MSC-IRES | 1 | 1" INK ROLL ECCENTRIC & SHAFT ASSEMBLY |
| | MSC-IRES-2 | | 2" INK ROLL ECCENTRIC & SHAFT ASSEMBLY |
| 7 | NP-21 | 2 | O-RING, ECCENTRIC |
| 8 | NP-XC1 | 1 | 1" NP XF NEOPRENE INK ROLL |
| | NP-XC2 | | 2" NP XF NEOPRENE INK ROLL |
| 9 | MS-34 | 1 | BASEPLATE, NP LEFT INKING SYSTEM |
| | MS-06 | | BASEPLATE, NP RIGHT INKING SYSTEM |
| 10 | MS-29 | 2 | DELTRIN WASHER |
| 11 | MC-02 | 2 | SCREW, 1/4-20 X 5/8" SHC |
| 12 | NP-17 | 1 | COVER RETAINING KNOB |
| 13 | NP-16 | 1 | DRIVE WHEEL COVER |
| 14 | NP-15 | 1 | DELTRIN WASHER, DRIVE WHEEL |
| 15 | NP-14 | 1 | KNURLED DRIVE WHEEL W/DELTRIN WASHER |
| 16 | NP-TRA-1 | 1 | 1" TRANSFER ROLL ASSEMBLY |
| | NP-TRA-2 | | 2" TRANSFER ROLL ASSEMBLY |
| 17 | NP-05 | 1 | 1" TRANSFER ROLL AXLE |
| | NP-06 | | 2" TRANSFER ROLL AXLE |
| 18 | HP-04 | 1 | 3/8" BRASS FLAT WASHER |
| 19 | MSC-ISEA | 1 | INKING SYSTEM ECCENTRIC ASSEMBLY |

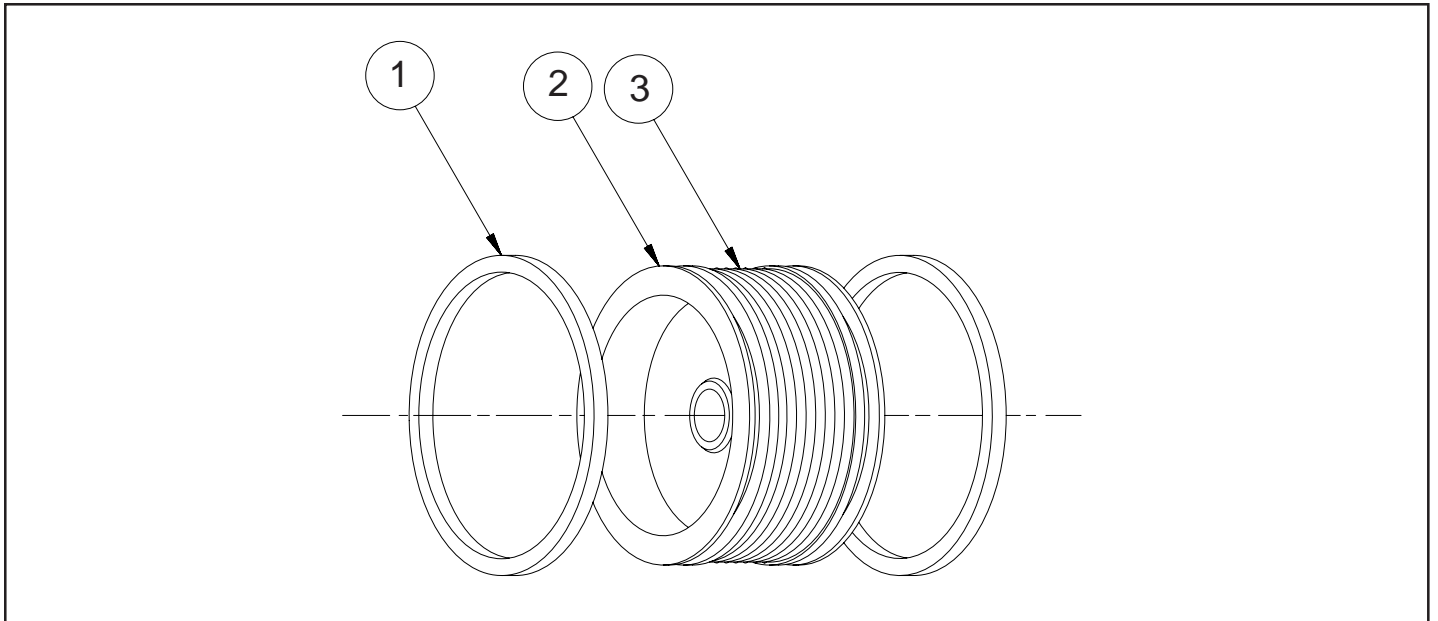
NON-POROUS MIDSIZE CODER 1" PRINT DRUM



| KEY NO. | PART NUMBER | QTY. REQD. | DESCRIPTION |
|---------|-------------|------------|---|
| 1 | MS-20 | 2 | BEARER RING, MS-120 |
| | MS-21 | | BEARER RING, MS-150 |
| | CO-02S | | BEARER RING, MS-180 |
| 2 | MS-24 | 1 | PRINT DRUM, NON-POROUS MS-120 |
| | MS-25 | | PRINT DRUM, NON-POROUS MS-150 |
| | MS-65 | | PRINT DRUM, NON-POROUS MS-180 |
| | MS-24T | | PRINT DRUM, NON-POROUS MS-120 - METRIC |
| | MS-25T | | PRINT DRUM, NON-POROUS MS-150 - METRIC |
| | MS-65T | | PRINT DRUM, NON-POROUS MS-180 - METRIC |
| 3 | MS-11 | 1 | RIBtype® RING, NON-POROUS MS-120 |
| | MS-12 | | RIBtype® RING, NON-POROUS MS-150 |
| | CLP-BL1 | | RIBtype® RING, NON-POROUS MS-180 |
| | MS-11T | | RIBtype® RING, NON-POROUS MS-120 - METRIC |
| | MS-12T | | RIBtype® RING, NON-POROUS MS-150 - METRIC |
| | CLP-BL1T | | RIBtype® RING, NON-POROUS MS-180 - METRIC |

CONTACT CUSTOMER SERVICE FOR APPLICATIONS REQUIRING DEEP RELIEF PRINTING DIE APPLICATIONS.

NON-POROUS MIDSIZE CODER 2" PRINT DRUM



| KEY NO. | PARTNUMBER | QTY. REQD. | DESCRIPTION |
|---------|------------|------------|---|
| 1 | MS-20 | 2 | BEARER RING, MS-220 |
| | MS-21 | | BEARER RING, MS-250 |
| | CO-02S | | BEARER RING, MS-280 |
| 2 | MS-49 | 1 | PRINT DRUM, NON-POROUS MS-220 |
| | MS-52 | | PRINT DRUM, NON-POROUS MS-250 |
| | MS-67 | | PRINT DRUM, NON-POROUS MS-280 |
| | MS-49T | | PRINT DRUM, NON-POROUS MS-220 - METRIC |
| | MS-52T | | PRINT DRUM, NON-POROUS MS-250 - METRIC |
| | MS-67T | | PRINT DRUM, NON-POROUS MS-280 - METRIC |
| 3 | MS-47 | 1 | RIBtype® RING, NON-POROUS MS-220 |
| | MS-50 | | RIBtype® RING, NON-POROUS MS-250 |
| | CLP-BL2 | | RIBtype® RING, NON-POROUS MS-280 |
| | MS-47T | | RIBtype® RING, NON-POROUS MS-220 - METRIC |
| | MS-50T | | RIBtype® RING, NON-POROUS MS-250 - METRIC |
| | CLP-BL2T | | RIBtype® RING, NON-POROUS MS-280 - METRIC |

CONTACT CUSTOMER SERVICE FOR APPLICATIONS REQUIRING DEEP RELIEF PRINTING DIE APPLICATIONS.