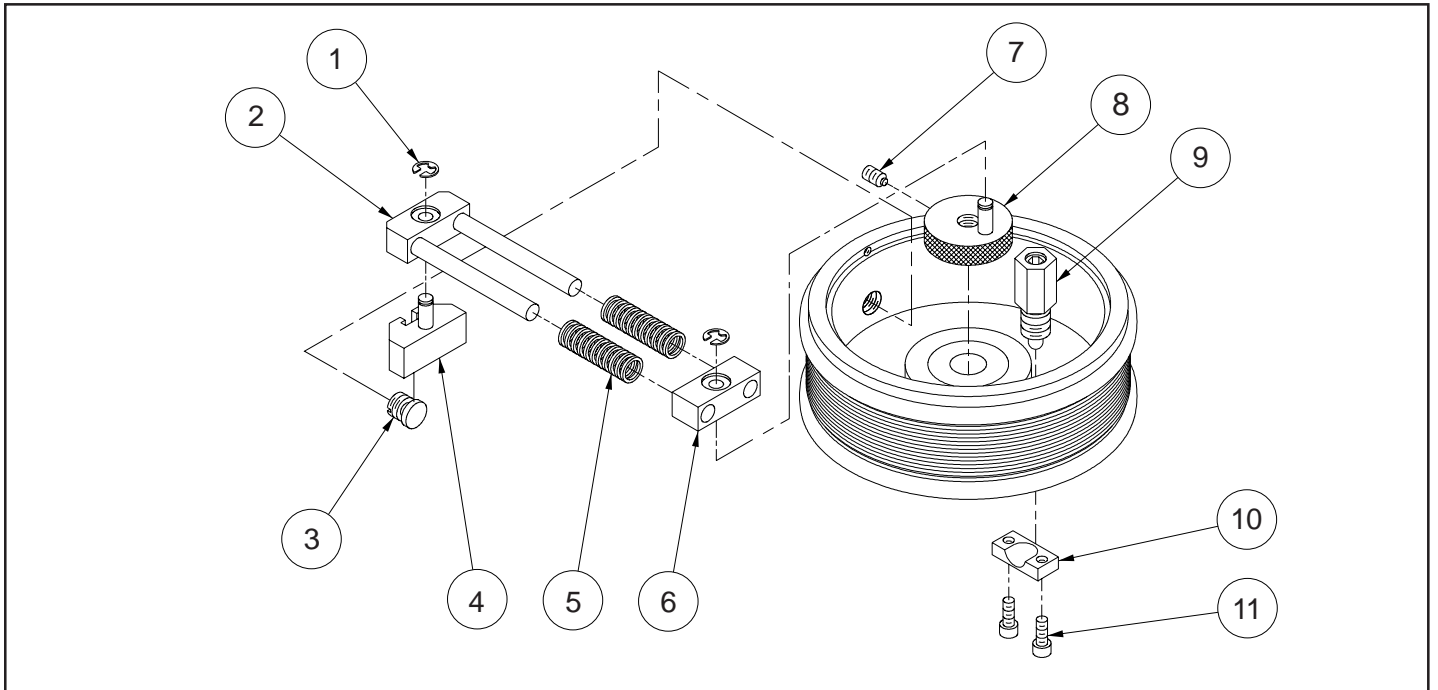


January 6, 2016

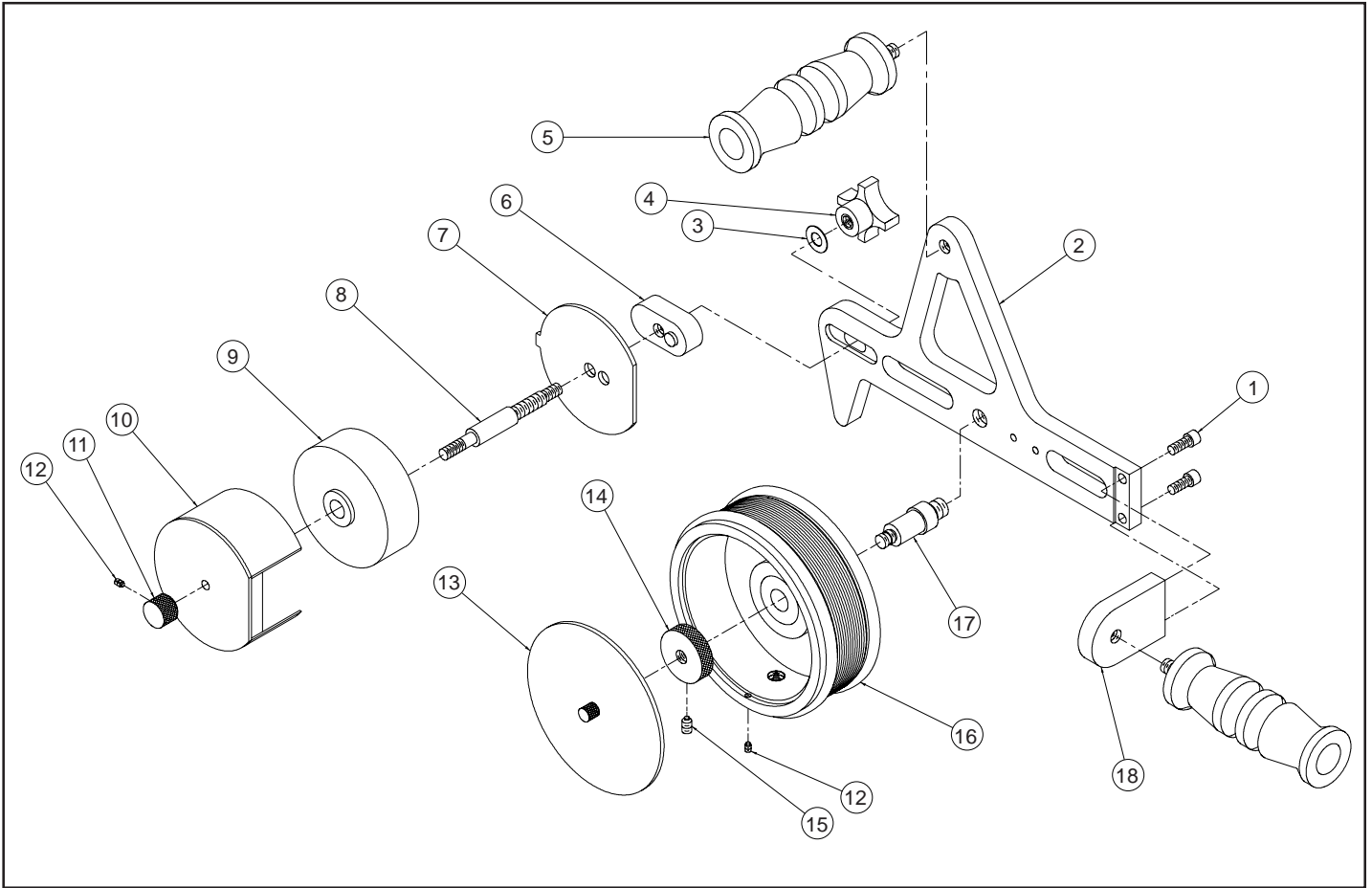
UNIVERSAL POROUS LARGE HAND PRINTERS
HPL-100, HPL-200, HPL-300 & HPL-400 SERIES

HPL INDEXING ASSEMBLY



KEY NO.	PART NUMBER	QTY. REQUIRED	DESCRIPTION
1	CF-28	2	SNAP RING
2	CLP-IA	1	INDEX ASSEMBLY BLOCK "A"
3	CF-27	1	INDEX ASSEMBLY MOUNTING SCREW
4	CLP-IB	1	INDEX ASSEMBLY BLOCK "B"
5	CS-07	2	DRUM INDEX SPRING
6	CLP-IC	1	INDEX ASSEMBLY BLOCK "C"
7	CF-04	1	1/4-20 BRASS TIP SET SCREW
8	CLP-IR2	1	INDEX RING ASSEMBLY
9	CLP-IP	1	INDEX PLUNGER ASSEMBLY
10	CM-34	1	INDEX RAMP
11	CF-29	2	SCREW, 10-32 X 1/2" SHC

HPL PRINTER

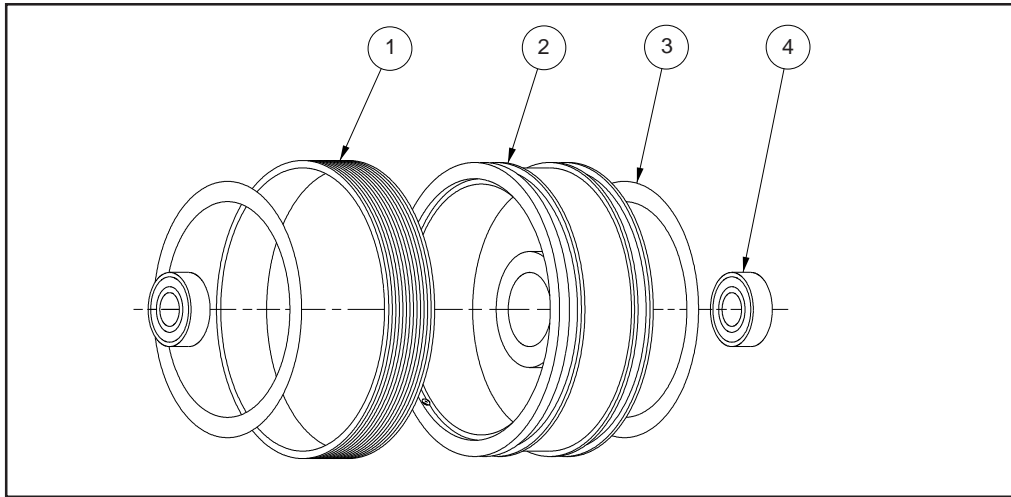


KEY NO.	PARTNUMBER	QTY. REQUIRED	DESCRIPTION
1	MC-02	2	SCREW, 1/4-20 X 5/8 LG SOC HD CAP
2	HPL-001	1	SIDE FRAME
3	HP-04	1	3/8" BRASS FLAT WASHER
4	MRM-CL20	1	KNOB
5	HPL-HA	2	HANDLE ASSEMBLY
6	HPL-003	1	INKING SYSTEM MOUNTING PAD
7	HPL-004	1	INK ROLL BASE PLATE
8	HPL-008	1	1-1/8" INK ROLL AXLE
	HPL-009		2" INK ROLL AXLE
	HPL-010		3" INK ROLL AXLE
	HPL-011		4" INK ROLL AXLE
9	HPL-XC1	1	1-1/8" XF NEOPRENE INK ROLL - DRY
	HPL-XC2		2" XF NEOPRENE INK ROLL - DRY
	HPL-XC3		3" XF NEOPRENE INK ROLL - DRY
	HPL-XC4		4" XF NEOPRENE INK ROLL - DRY

HPL PRINTER

KEY NO.	PART NUMBER	QTY. REQUIRED	DESCRIPTION
10	HPL-RC1	1	1-1/8" ROLL COVER ASSEMBLY
	HPL-RC2		2" ROLL COVER ASSEMBLY
	HPL-RC3		3" ROLL COVER ASSEMBLY
	HPL-RC4		4" ROLL COVER ASSEMBLY
11	HPL-018	1	COVER RETAINING KNOB
12	CF-05	2	SET SCREW, 8-32 X 3/16" LG N.T.S.
13	CM-13	1	DUST COVER W/ KNURLED KNOB
14	CM-04	1	KNURLED RETAINING KNOB
15	CF-04	1	SET SCREW, 1/4-20 X 3/8" LG B.T.S.
16	CLP-100NI-PDA	1	HPL-100 NON-INDEXING PRINT DRUM ASSEMBLY
	CLP-100-PDA		HPL-100 INDEXING PRINT DRUM ASSEMBLY
	CLP-200NI-PDA		HPL-200 NON-INDEXING PRINT DRUM ASSEMBLY
	CLP-200-PDA		HPL-200 INDEXING PRINT DRUM ASSEMBLY
	CLP-300NI-PDA		HPL-300 NON-INDEXING PRINT DRUM ASSEMBLY
	CLP-300-PDA		HPL-300 INDEXING PRINT DRUM ASSEMBLY
	CLP-400NI-PDA		HPL-400 NON-INDEXING PRINT DRUM ASSEMBLY
	CLP-400-PDA		HPL-400 INDEXING PRINT DRUM ASSEMBLY
	CLP-100NI-PDA-T		HPL-100 NON-INDEXING PRINT DRUM ASSEMBLY - METRIC
	CLP-100-PDA-T		HPL-100 INDEXING PRINT DRUM ASSEMBLY - METRIC
	CLP-200NI-PDA-T		HPL-200 NON-INDEXING PRINT DRUM ASSEMBLY - METRIC
	CLP-200-PDA-T		HPL-200 INDEXING PRINT DRUM ASSEMBLY - METRIC
	CLP-300NI-PDA-T		HPL-300 NON-INDEXING PRINT DRUM ASSEMBLY - METRIC
	CLP-300-PDA-T		HPL-300 INDEXING PRINT DRUM ASSEMBLY - METRIC
	CLP-400NI-PDA-T		HPL-400 NON-INDEXING PRINT DRUM ASSEMBLY - METRIC
	CLP-400-PDA-T		HPL-400 INDEXING PRINT DRUM ASSEMBLY - METRIC
17	HPL-005	1	1-1/8" PRINT DRUM AXLE
	HPL-006		2" PRINT DRUM AXLE
	HPL-007		3" & 4" PRINT DRUM AXLE
18	HPL-002	1	BACK FRAME

HPL PRINT DRUM



KEY NO.	PART NUMBER	QTY. REQD.	DESCRIPTION
1	CLP-BL1	1	CLP/HPL-100-RIBtype® DRUM COVER
	CLP-BL2		CLP/HPL-200-RIBtype® DRUM COVER
	CLP-BL3		CLP/HPL-300-RIBtype® DRUM COVER
	CLP-BL4		CLP/HPL-400-RIBtype® DRUM COVER
	CLP-BL1T		CLP/HPL-100-RIBtype® DRUM COVER - METRIC
	CLP-BL2T		CLP/HPL-200-RIBtype® DRUM COVER - METRIC
	CLP-BL3T		CLP/HPL-300-RIBtype® DRUM COVER - METRIC
	CLP-BL4T		CLP/HPL-400-RIBtype® DRUM COVER - METRIC
2	CLP-PD1	1	CLP/HPL-100 NON-INDEXING PRINT DRUM W/CB-04 PRINT DRUM BEARINGS
	CLP-PD1I		CLP/HPL-100 INDEXING PRINT DRUM W/CB-04 PRINT DRUM BEARINGS
	CLP-PD2		CLP/HPL-200 NON-INDEXING PRINT DRUM W/CB-04 PRINT DRUM BEARINGS
	CLP-PD2I		CLP/HPL-200 INDEXING PRINT DRUM W/CB-04 PRINT DRUM BEARINGS
	CLP-PD3		CLP/HPL-300 NON-INDEXING PRINT DRUM W/CB-04 PRINT DRUM BEARINGS
	CLP-PD3I		CLP/HPL-300 INDEXING PRINT DRUM W/CB-04 PRINT DRUM BEARINGS
	CLP-PD4		CLP/HPL-400 NON-INDEXING PRINT DRUM W/CB-04 PRINT DRUM BEARINGS
	CLP-PD4I		CLP/HPL-400 INDEXING PRINT DRUM W/CB-04 PRINT DRUM BEARINGS
	CLP-PD1T		CLP/HPL-100 NON-INDEXING PRINT DRUM W/CB-04 PRINT DRUM BEARINGS - METRIC
	CLP-PD1IT		CLP/HPL-100 INDEXING PRINT DRUM W/CB-04 PRINT DRUM BEARINGS - METRIC
	CLP-PD2T		CLP/HPL-200 NON-INDEXING PRINT DRUM W/CB-04 PRINT DRUM BEARINGS - METRIC
	CLP-PD2IT		CLP/HPL-200 INDEXING PRINT DRUM W/CB-04 PRINT DRUM BEARINGS - METRIC
	CLP-PD3T		CLP/HPL-300 NON-INDEXING PRINT DRUM W/CB-04 PRINT DRUM BEARINGS - METRIC
	CLP-PD3IT		CLP/HPL-300 INDEXING PRINT DRUM W/CB-04 PRINT DRUM BEARINGS - METRIC
	CLP-PD4T		CLP/HPL-400 NON-INDEXING PRINT DRUM W/CB-04 PRINT DRUM BEARINGS - METRIC
	CLP-PD4IT		CLP/HPL-400 INDEXING PRINT DRUM W/CB-04 PRINT DRUM BEARINGS - METRIC
3	CO-02	2	BEARER RING
4	CB-04	2	PRINT DRUM BEARING

HPL-PRINTER SERIES REPLACEMENT INK ROLLS - DRY

CLP-SERIES	PARTNUMBER	DESCRIPTION
CLP-100 SERIES	HPL-XC1	1-1/8" XF NEOPRENE INK ROLL - DRY
	HPL-MC1	1-1/8" MICROCELL INK ROLL - DRY
CLP-200 SERIES	HPL-XC2	2" XF NEOPRENE INK ROLL - DRY
	HPL-MC2	2" MICROCELL INK ROLL - DRY
CLP-300 SERIES	HPL-XC3	3" XF NEOPRENE INK ROLL - DRY
	HPL-MC3	3" MICROCELL INK ROLL - DRY
CLP-400 SERIES	HPL-XC4	4" XF NEOPRENE INK ROLL - DRY
	HPL-MC4	4" MICROCELL INK ROLL - DRY

Universal Stenciling & Marking Systems, Inc.

P.O. Box 871 - St. Petersburg, FL 33731 - U.S.A.

Ph: (727) 894-3027 Fax: (727) 821-7944

E-Mail: sales@universal-marking.com Website: www.universal-marking.com